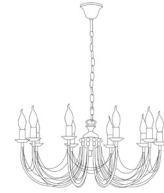
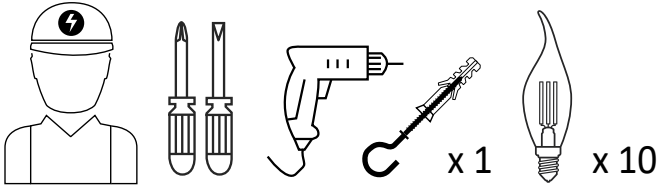
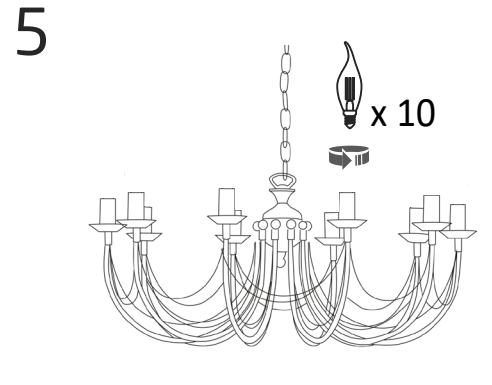
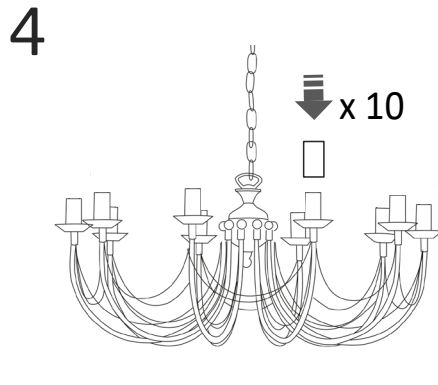
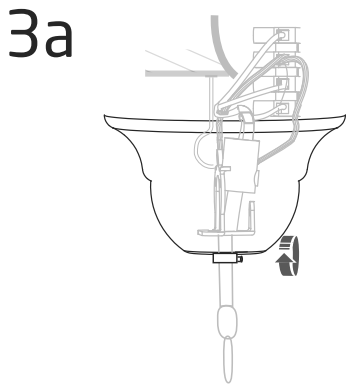
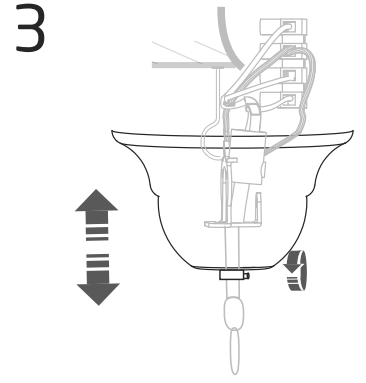
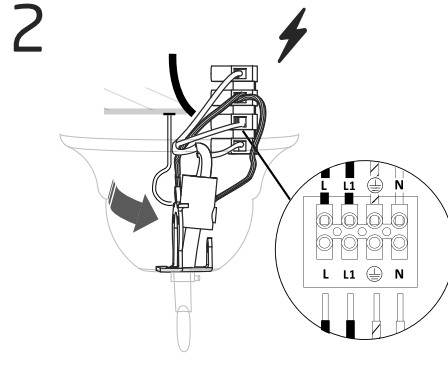
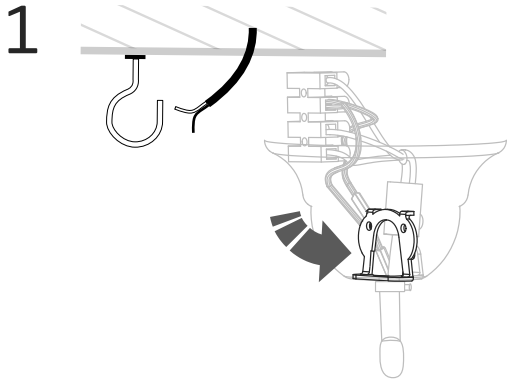


ARES X
206



ARES X
206

