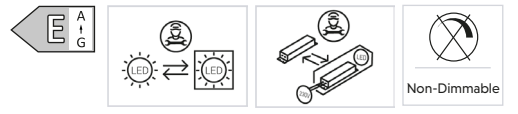
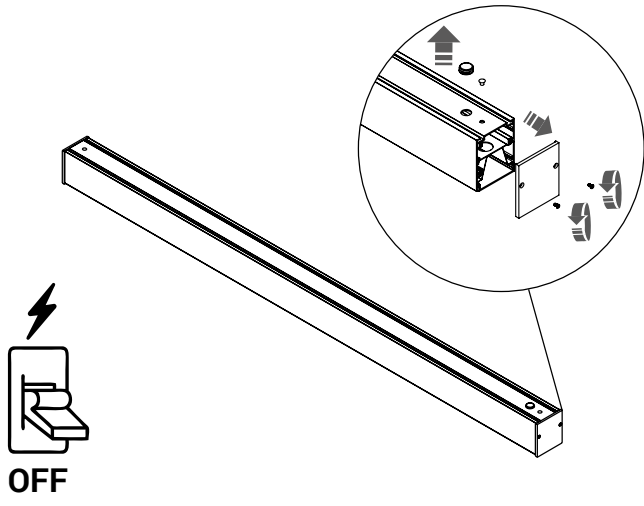


OFFICE 150 OFFICE 120  
 10213 | 10214 10208 | 10210  
 10215 | 10216 10211 | 10212  
**HALL**  
 10206 | 10207

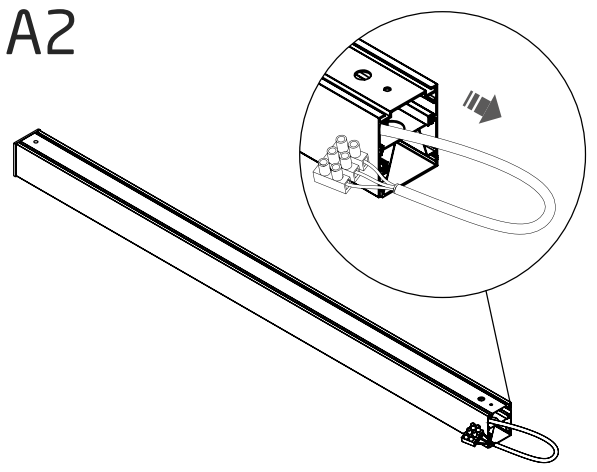
THIS PRODUCT CONTAINS A LIGHT SOURCE OF ENERGY EFFICIENCY CLASS: E



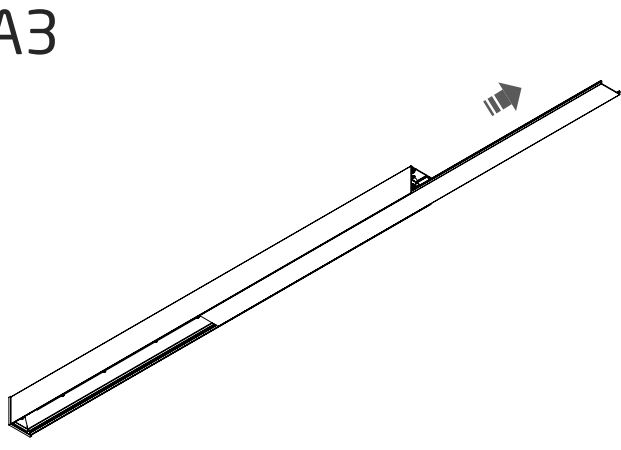
**A1**



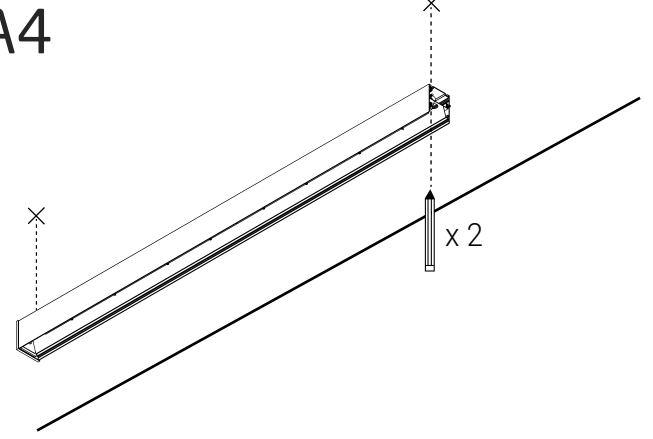
**A2**



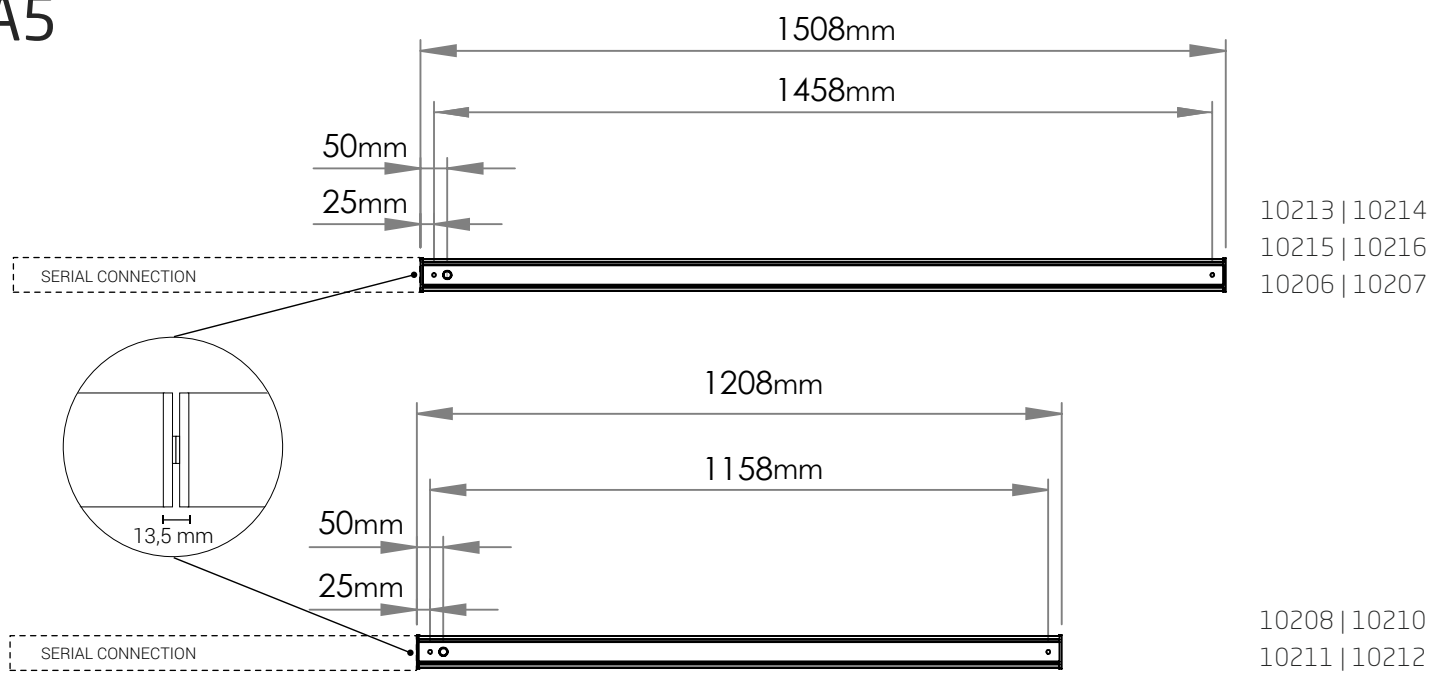
**A3**



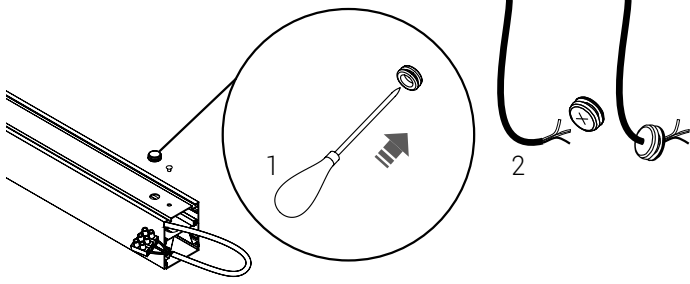
**A4**



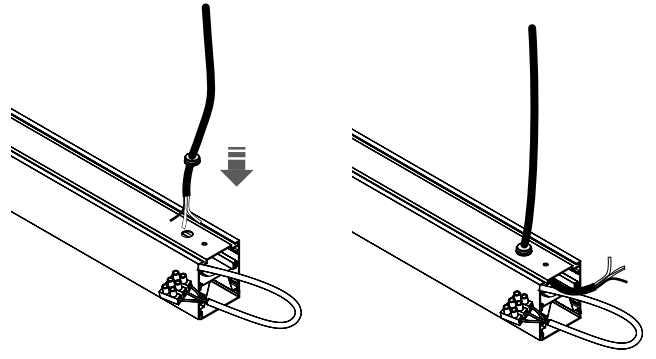
**A5**



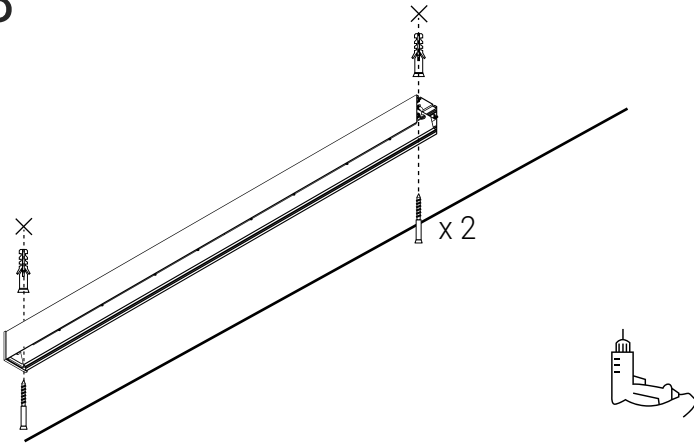
A6



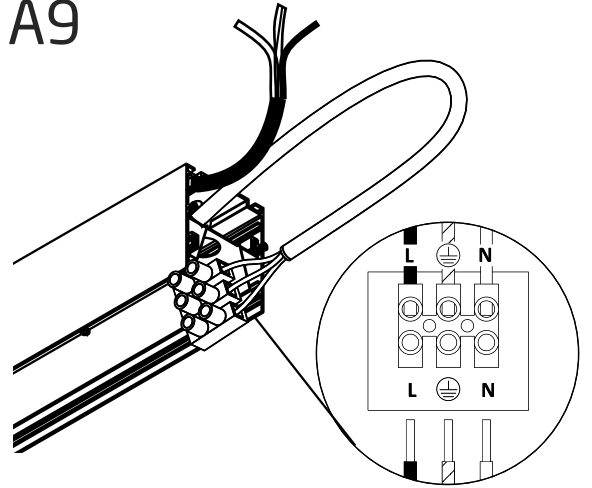
A7



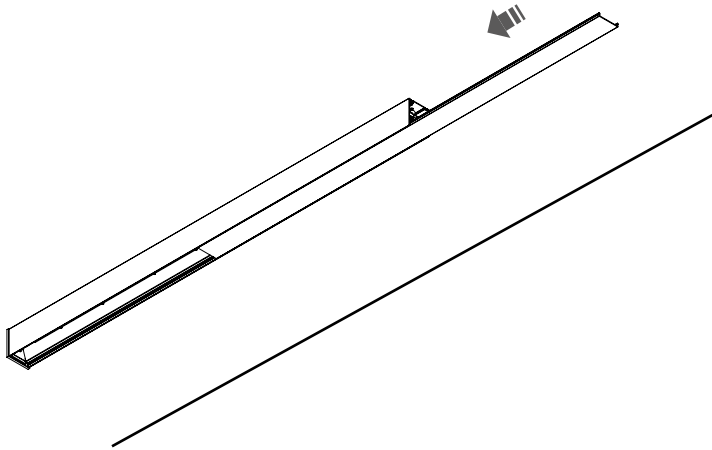
A8



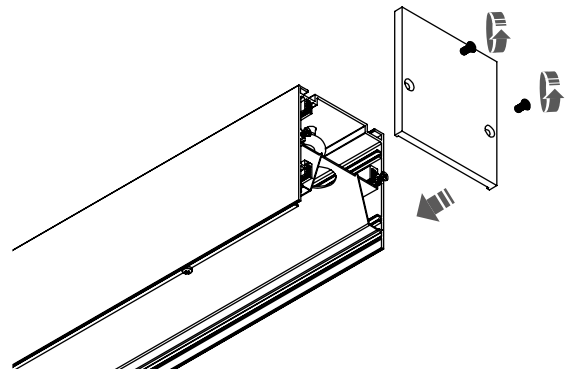
A9

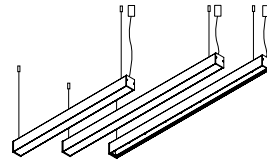
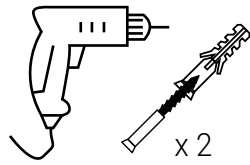
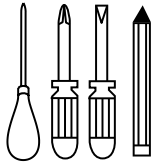


A10



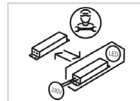
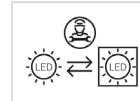
A11





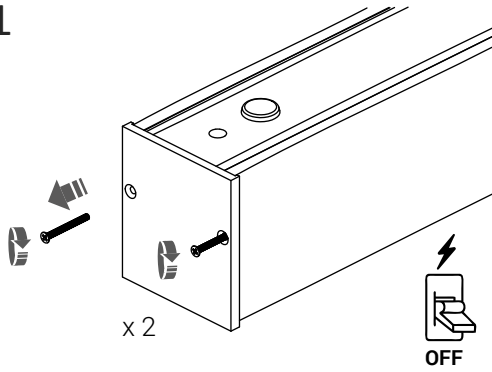
OFFICE 150    OFFICE 120  
 10213 | 10214    10208 | 10210  
 10215 | 10216    10211 | 10212  
 HALL  
 10206 | 10207

THIS PRODUCT CONTAINS A LIGHT SOURCE OF ENERGY EFFICIENCY CLASS: E

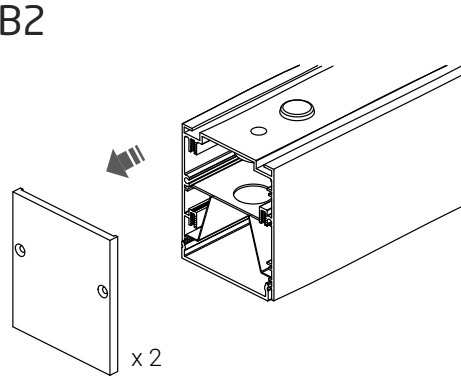


WORK WITH: CL OFFICE PRO / HALL PRO SUSPENSION KIT + CL OFFICE PRO / HALL PRO POWER SUPPLY KIT

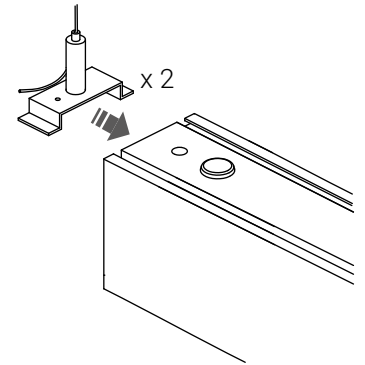
B1



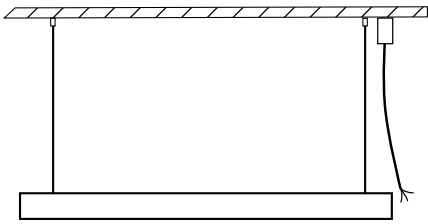
B2



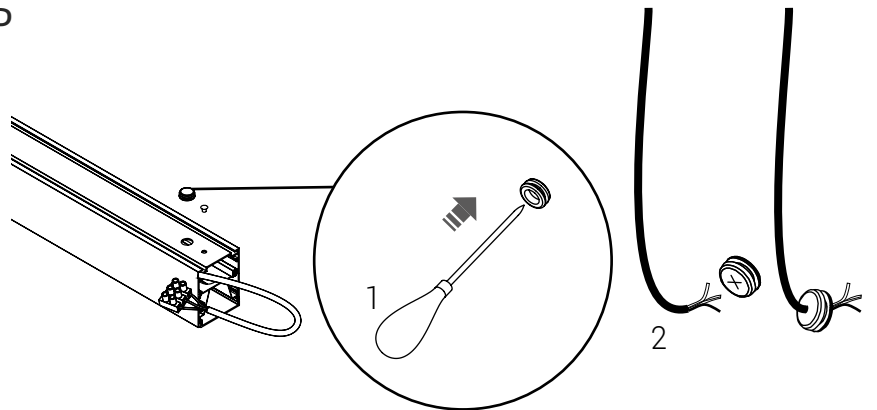
B3



B4

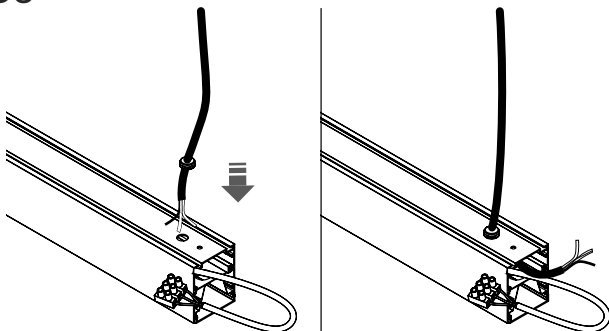


B5

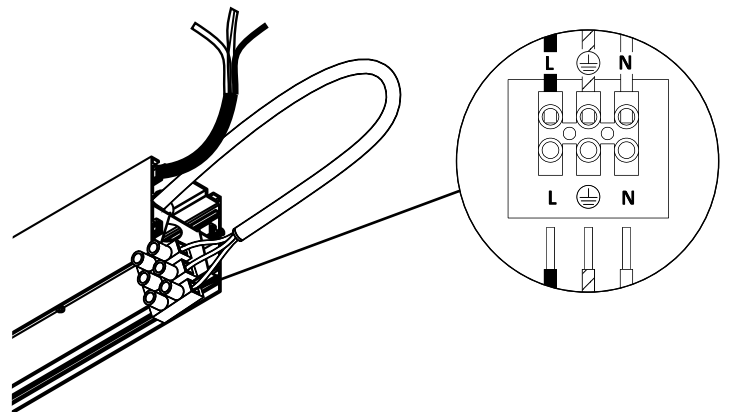


GO TO MANUAL:  
 CL OFFICE PRO / HALL PRO SUSPENSION KIT  
 CL OFFICE PRO / HALL PRO POWER SUPPLY KIT

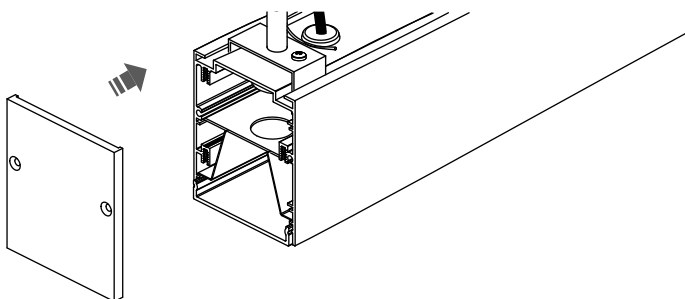
B6



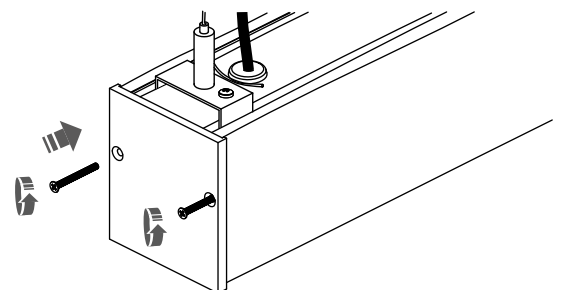
B7



B8



B9



SERIAL CONNECTION

