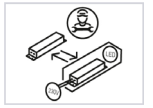
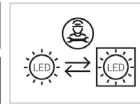
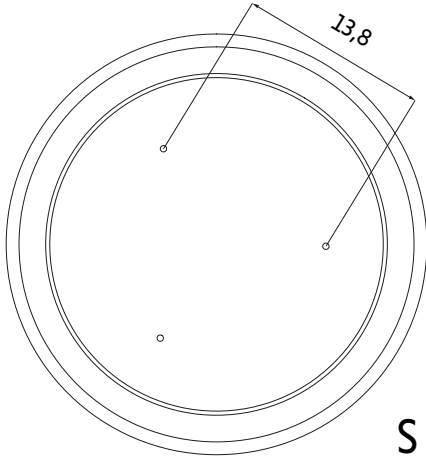


PAN LED
S 8173
M 8174

THIS PRODUCT CONTAINS A LIGHT SOURCE OF ENERGY EFFICIENCY CLASS: E (8174)
F (8173)

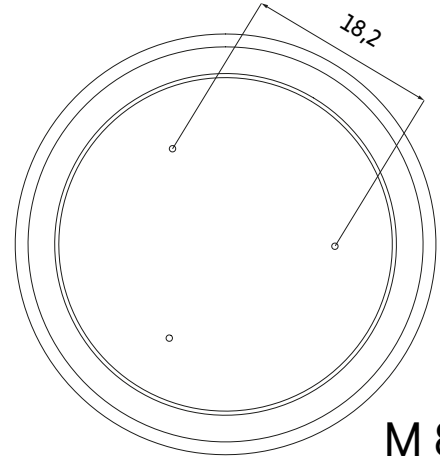


1



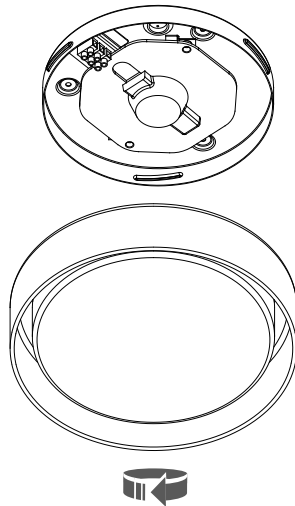
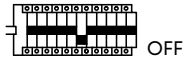
S 8173

2

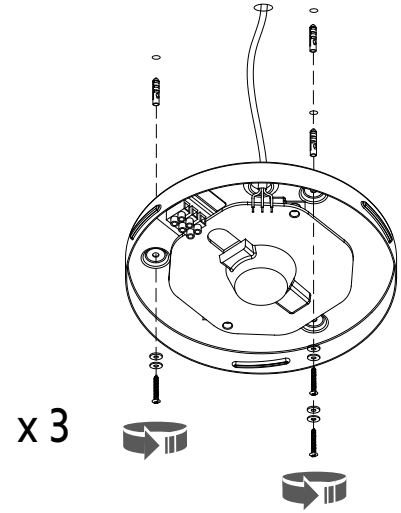


M 8174

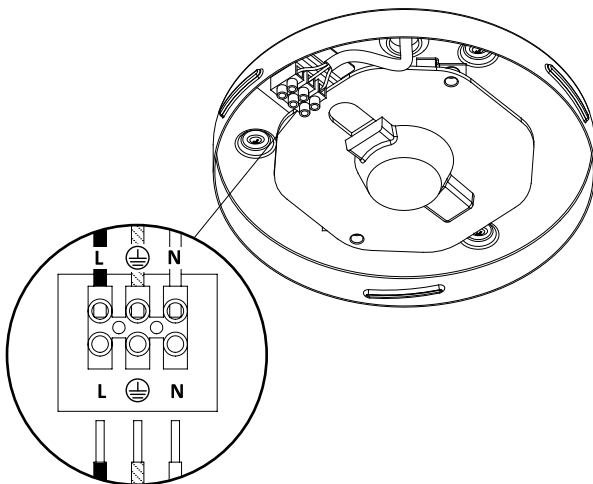
3



4



5



6

