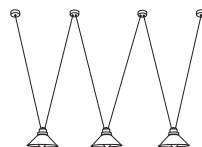
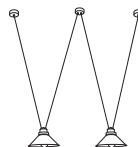


x 4-12



x 1-3



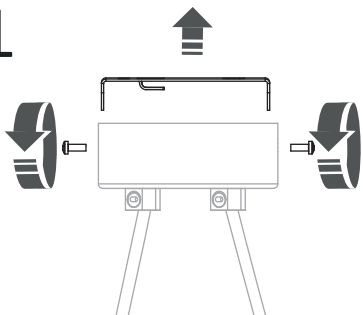
PERM

9148

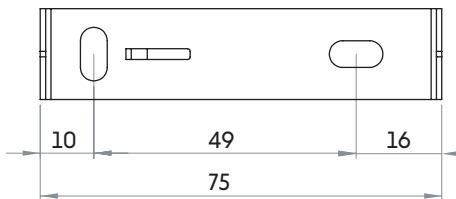
9147

9146

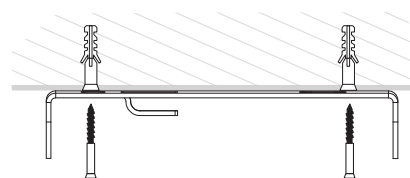
1



2

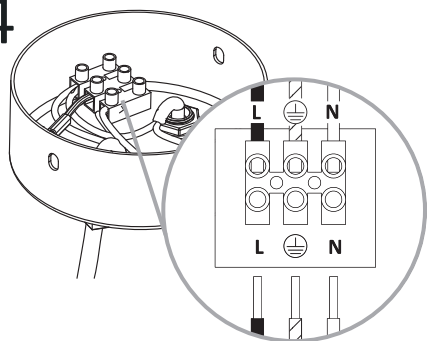


3

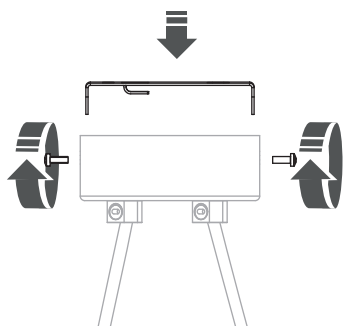


 x 4-12       x 2-6

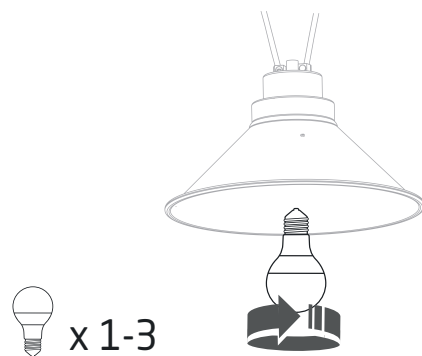
4



5



6



 x 1-3